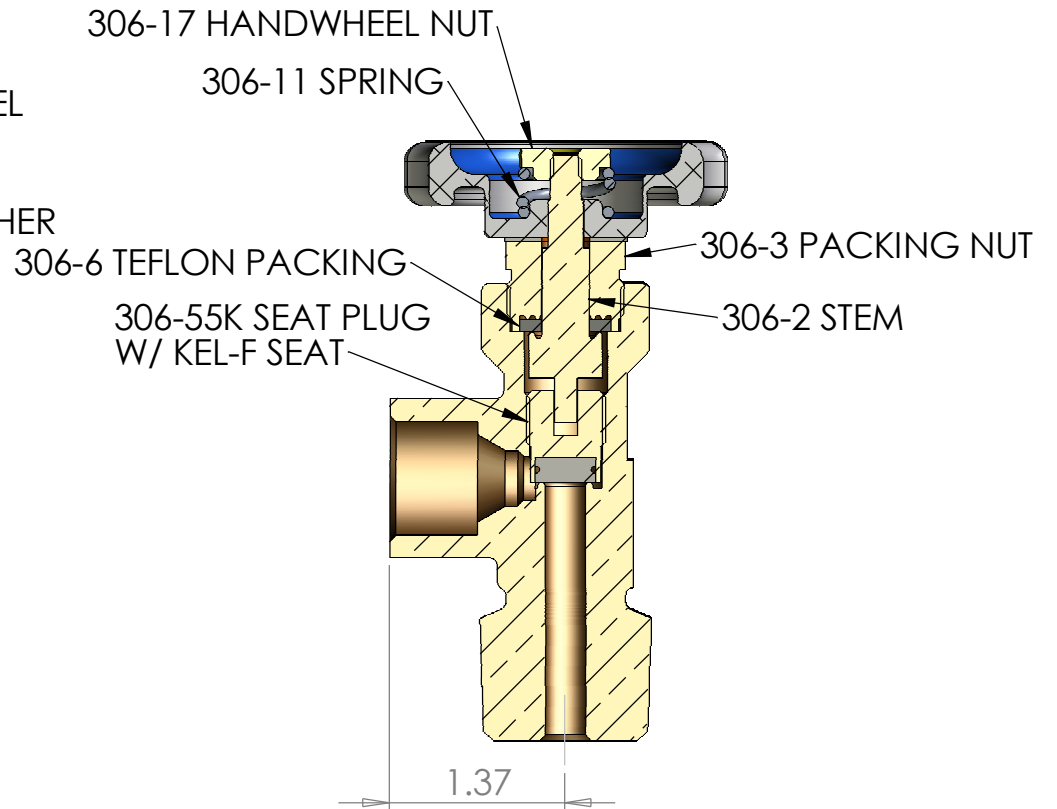


DIMENSIONS ARE APPROXIMATE



**SECTION A-A**  
**SCALE 1 : 1.5**

**SPECIFICATIONS:**  
 VALVE BODY - BRASS  
 SEAT PLUG - BRASS W/ KEL-F SEAT  
 STEM - BRASS  
 PACKING NUT - BRASS  
 PACKING - VIRGIN TEFLON  
 MAXIMUM OPERATING PRESSURE 5000 PSI  
 REFERENCE CGA PUBLICATION V-1 FOR OUTLET  
 PRESSURE RATINGS WHERE APPLICABLE  
 Cv FACTOR 1.16

	NAME	DATE	<b>WESTERN VALVE</b>		
DRAWN	DCH	07/15/11	TITLE: <b>1306N32F VALVE</b>		
CHECKED	DCH	07/15/11			
MFG APPR.	DCH	07/15/11			
COMMENTS:			SIZE <b>A</b>	DWG. NO. <b>1306N32F</b>	REV
			SCALE: 1:2	WEIGHT:	SHEET 1 OF 1