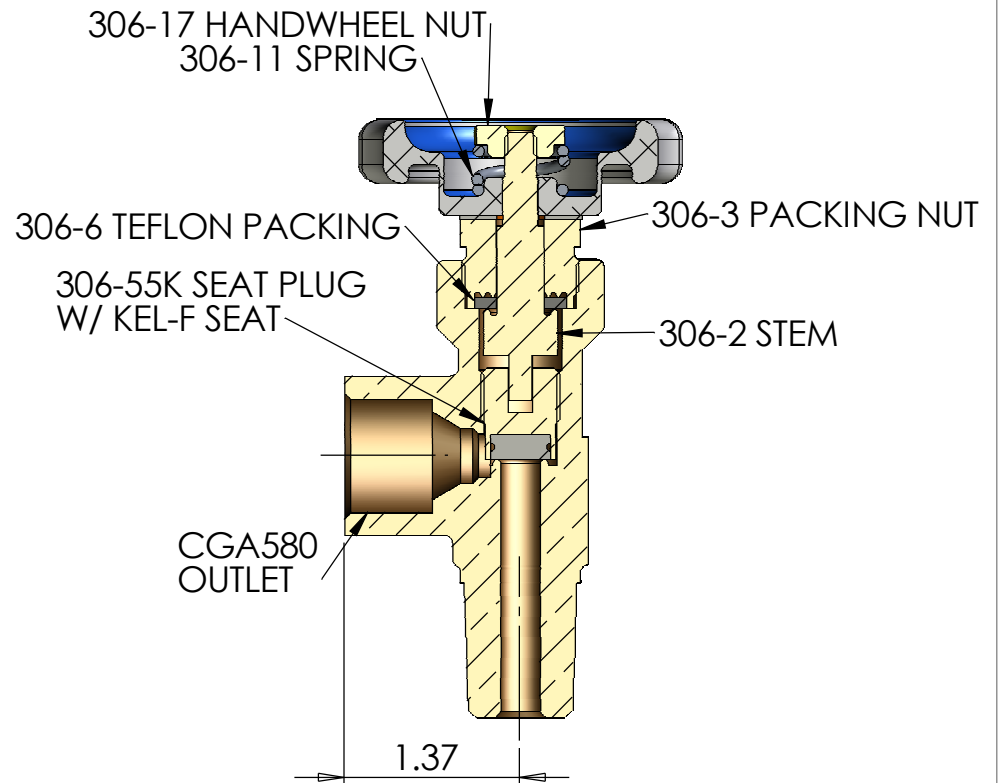


DIMENSIONS ARE APPROXIMATE

SPECIFICATIONS:
 VALVE BODY - BRASS
 SEAT PLUG - BRASS, KEL-F SEAT
 STEM - BRASS
 PACKING NUT - BRASS
 PACKING - VIRGIN TEFLON
 MAXIMUM OPERATION PRESSURE - 5000PSI
 REFERENCE CGAPUBLICATION V-1 FOR OUTLET
 PRESSURE RATINGS WHERE APPLICABLE
 Cv FACTOR - 1.16



SECTION A-A
 SCALE 1 : 1.5

	NAME	DATE	WESTERN VALVE	
DRAWN	DCH	1/21/10		
CHECKED	DCH	1/21/10		
MFG APPR.	DCH	1/21/10	SIZE A DWG. NO. 1306N32A REV. SCALE:1:1.5 WEIGHT: SHEET 1 OF 1	
COMMENTS:				