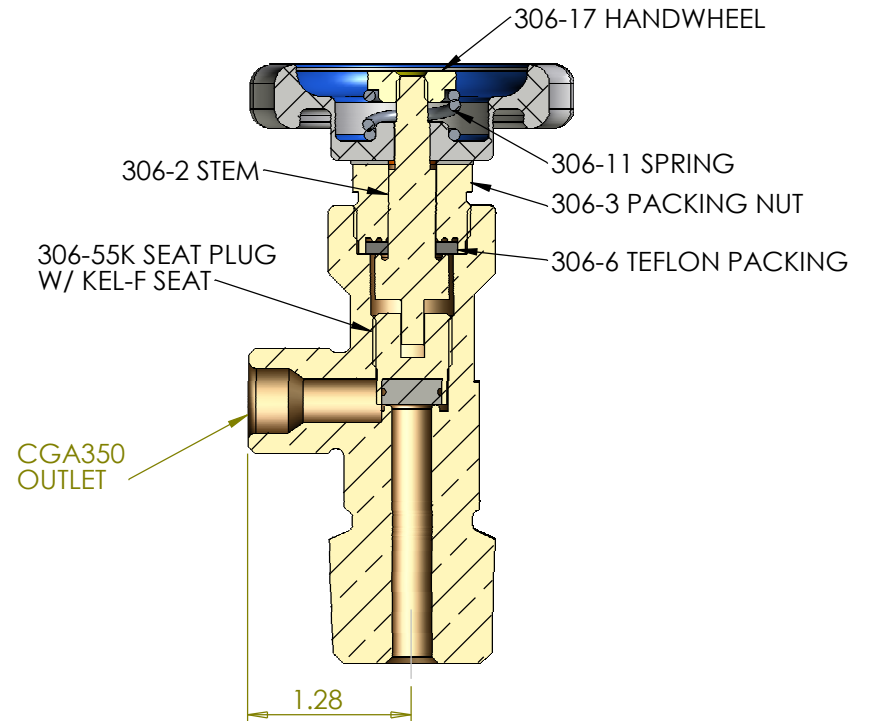


DIMENSIONS ARE APPROXIMATE



SECTION A-A
SCALE 1 : 1.5

SPECIFICATIONS:
 VALVE BODY - BRASS
 SEAT PLUG - BRASS, KEL-F SEAT
 STEM - BRASS
 PACKING NUT - BRASS
 PACKING - VIRGIN TEFLON
 MAXIMUM VALVE BODY OPERATING PRESSURE 5000 PSI
 REFERENCE CGA PUBLICATION V-1 FOR OUTLET PRESSURE RATINGS WHERE APPLICABLE
 Cv FACTOR 1.12

	NAME	DATE	WESTERN VALVE TITLE: 1306N23F VALVE
DRAWN	DCH	11/18/10	
CHECKED	DCH	11/18/10	
MFG APPR.	DCH	11/18/10	
COMMENTS:			SIZE DWG. NO. REV
			A 1306N23F
SCALE: 1:2		WEIGHT:	SHEET 1 OF 1